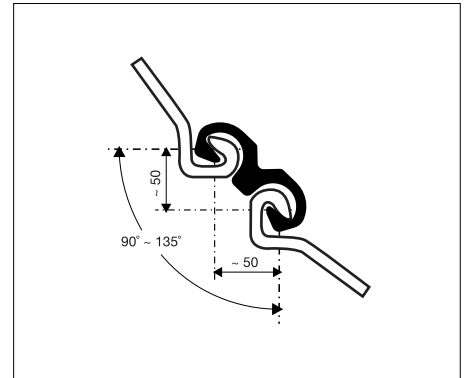
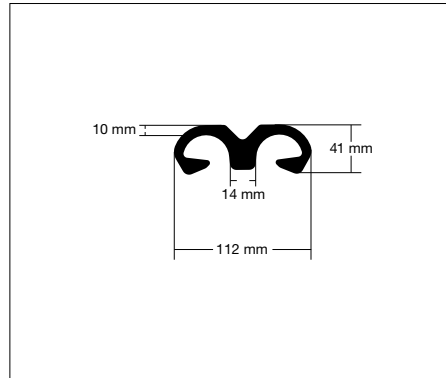


Applications

Variable corner joint, Jagged U-Walls.

Typical Properties

Steel grade:	S 355 GP or higher*
Weight:	17,33 kg/m
Lengths:	12,000 mm
	Standard length available from stock
Max. length:	24,000 mm
Lth. tolerance:	+/- 200 mm
* on request	



Certificates



Installation Guidelines

1. Please review proper interlocking examples as shown.
2. Thread the connector into the interlock while the sheet pile is out of the ground.
3. Adjust the connector to the appropriate position.
4. Tack or spot-weld the connector in place (typically a 100 mm weld attaching the connector to the sheet pile at the top is sufficient).
5. Drive/extract the sheet (with the connector attached) as you would normally.

