

## E 21

### Locking bar profile

#### Applications

Weld-on for pipes / combined walls.

#### Typical Properties

Steel grade: S 355 GP or higher\*

Weight: 6,27 kg/m

Lengths: 8,400 mm

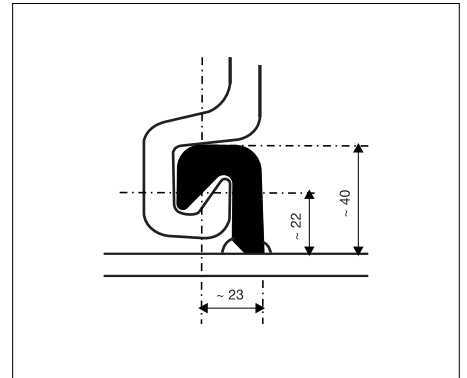
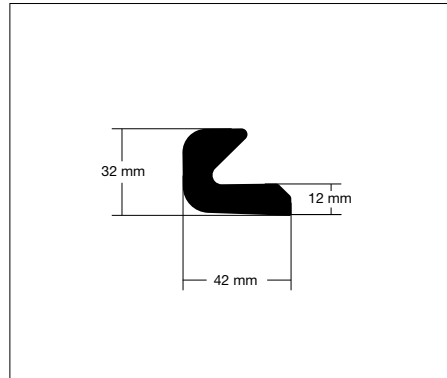
12,000 mm

Standard lengths  
available from stock

Max. length: 13,000 mm

Lth. tolerance: +/- 200 mm

\* on request



#### Certificates



#### Installation Guidelines

1. Please review proper interlocking examples as shown.
2. Thread the connector into the interlock while the sheet pile is out of the ground.
3. Adjust the connector to the appropriate position.
4. Tack or spot-weld the connector in place (typically a 100 mm weld attaching the connector to the sheet pile at the top is sufficient).
5. Drive/extract the sheet (with the connector attached) as you would normally.

